

DECORATIVE CAPITALS



Plumb Line
(Plumb-Bob)



Tape Measure



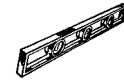
Circular Saw
with Abrasive
Blade



Sander



Drill



Level



Personal
Protective
Equipment

A. PAINTING AND FINISHING INSTRUCTIONS

1. Make sure all surfaces are clean prior to painting. Use mineral spirits if oil or alkyd products are used. Warm soapy water should be used if latex products are utilized. It may be necessary to sand Decorative Capitals prior to priming and painting. Some cosmetic filling may be required.
2. Alkyd or oil base primer and paint are recommended. Latex products may be used, but additional sanding may be required.
3. Use a good high-quality exterior paint. At least one coat of primer and two coats of final paint are recommended. Note: Do not paint using dark colors (dark colors are considered any color that falls within the L values of 56 to 0). L is a measure of the lightness of an object, and ranges from 0 (black) to 100 (white). **Note: Spray Painting is not recommended. Paint should be applied with a brush.**
4. Follow paint manufacturer's instructions concerning use within temperature ranges for best results.
5. Do not use paint or solvents containing acetone.

B. FIBERGLASS COLUMN INSTALLATION INSTRUCTIONS WITH DECORATIVE CAPITALS

1. Determine the position of the base/plinth by dropping a plumb line from the center of the soffit beam to the floor. Mark this point on the floor with an "X". This mark is where you will center the base/plinth so that the top of the shaft and capital will align with the soffit.
2. Measure the overall height. Raise the soffit slightly with a brace for easy installation of the column.
3. Trim column shaft on the bottom end only. Trim with a circular saw with an abrasive blade. (Be sure to wear personal protective equipment). Finish the bottom of the shaft with a rasp or sander to ensure an even load distribution around the entire circumference.
4. All DuraCast™ Round Fiberglass Columns used with Decorative Capitals should be trimmed flush above the bead/astragal. The capital should rest on top of the bead/astragal and will allow for a proper fit. Columns can be ordered from the factory cut at the bead, or this can be trimmed in the field. A circular saw with an abrasive blade can be used to trim a column at the bead/astragal. (Be sure to wear personal protective equipment). There are several considerations to be made when ordering DuraCast™ Fiberglass Columns used with Decorative Capitals: (a) the cut at bead loss and the decorative capital height must always be taken into consideration. (b) In addition, any column used with a short decorative capital may require that a longer shaft be ordered.
5. Slide base/plinth onto column shaft from bottom.
6. Place column in a vertical position.
7. When installing a Fiberglass Column with a Decorative Capital, the column shaft should be lifted into place first, and then the Decorative Capital should be lifted into position and centered on top of the shaft.
8. Decorative Capitals should be anchored to the soffit by pre-drilling and using a toe

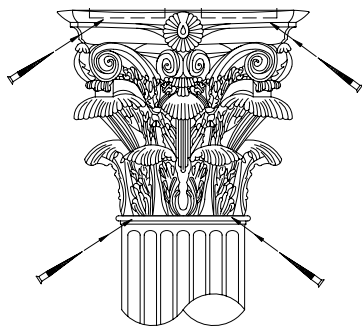


Illustration 1

nailing attachment. Use stainless steel screws and seal with waterproof silicon caulk. See Illustration 1.

9. Attach the Decorative Capital to the shaft by drilling pilot holes through the shaft and into the base of the capital and secure with a toe nailing attachment.
10. If installation requires that column be secured in place prior to bearing load, use small L brackets or the optional Dixie-Pacific™ Fiberglass Column Installation Kit (sold separately). Be careful to ensure that the L brackets do not interfere with the seating of the cap and base/plinth. Note: To secure bracket to column, drill hole into shaft and use through bolts. Do not over tighten.
11. Remove brace to allow load to bear on column shaft.
12. Attach base/plinth to floor and bottom of shaft using non-corrosive screws or appropriate fasteners.
13. Caulk between the cap and soffit, the cap and shaft, and the base and shaft for a finished appearance.

C. JOINING SPLIT DECORATIVE CAPITALS

1. Apply a two-part epoxy and join and attach the two halves together.
2. Use strapping to hold the capitals together while epoxy is curing.

D. HOW TO ATTACH DECORATIVE CAPITALS TO A WALL AS A PILASTER

See Illustration 2. (For Fiberglass Column details, refer to page 59, section **F**. For Paint-Grade Column details, refer to page 63, section **G**.)

Warranty is void if installation instructions are not followed.

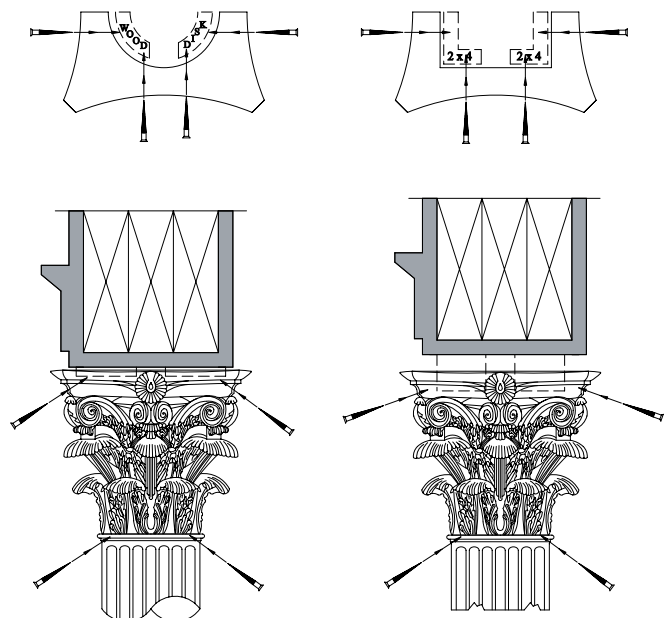


Illustration 2